

KNUCKLE BOOM CRANE

**MK3053C**

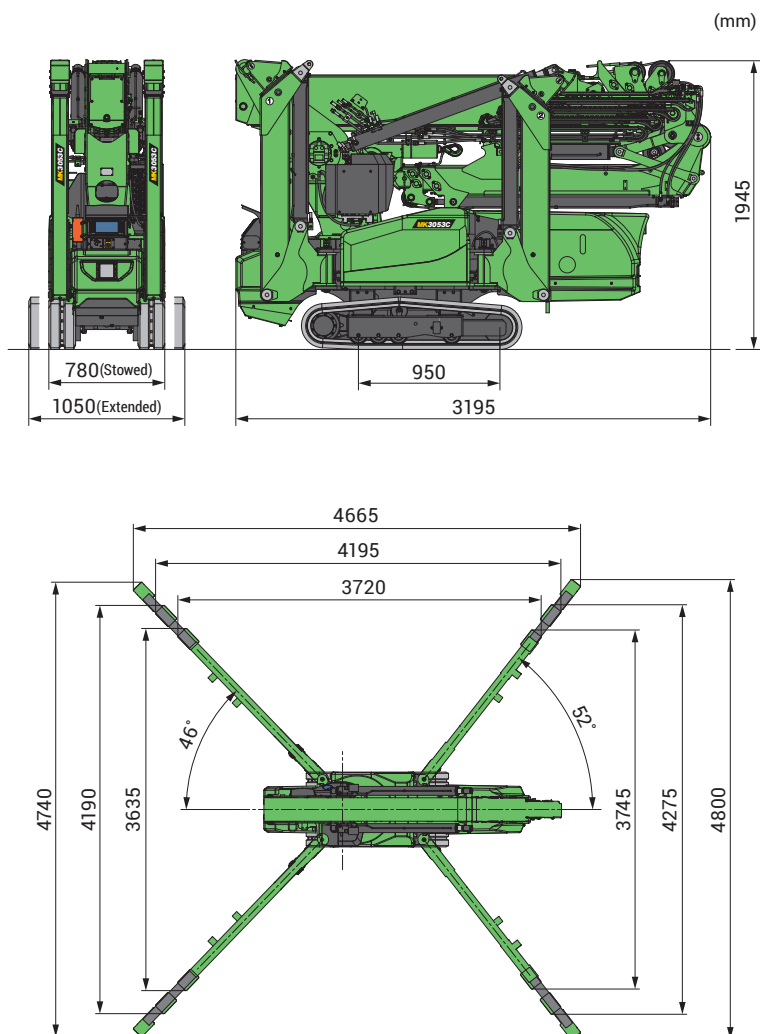
# TECHNICAL DATA

Metric(CE)

## Specifications

Crane Capacity Main boom / Jib	2.98t x 1.8m / 1.0t x 5.2m
Max. Working Radius Main boom / Jib	9.4m / 14.3m
Max. Lifting Height (on the ground) Main boom / Jib	12.0m / 16.95m
Outrigger Max. Extended Width (outer dims)	(Lateral)4,665 x (Front)4,740 x (Rear)4,800mm
Travel Speed	0 - 2.4km/h
Ground Pressure	83.4kpa [0.85kgf/cm <sup>2</sup> ]
Engine (Diesel / Diesel + Electric spec)	KUBOTA Z482-E4B / Diesel
Engine Rated Output	7.2kw/2,600min <sup>-1</sup> [9.8ps/2,600rpm]
Electric Motor (Diesel + Electric spec)	4.0kw, 4P 380V (200-415V)
Battery System (Battery spec), 5-hour rate capacity	Lithium Titanate Battery, DC55V-135Ah, 7.4kWh
Dimensions	3,195mm(L) x 780mm(W) x 1,945mm(H)
Machine Weight (Diesel + Electric / Diesel, Battery)	2,900kg / 2,875kg

## Dimensions



KNUCKLE BOOM CRANE

**MK3053C**

# TECHNICAL DATA

Metric(CE)

## Working Range Chart

Outriggers Position : Max

Main Boom (4 falls) Jib (Fixed Hook : Max.950kg / Single Fall : Max.1000kg) (kg)

