

SPIDER CRANE
MC305C-5

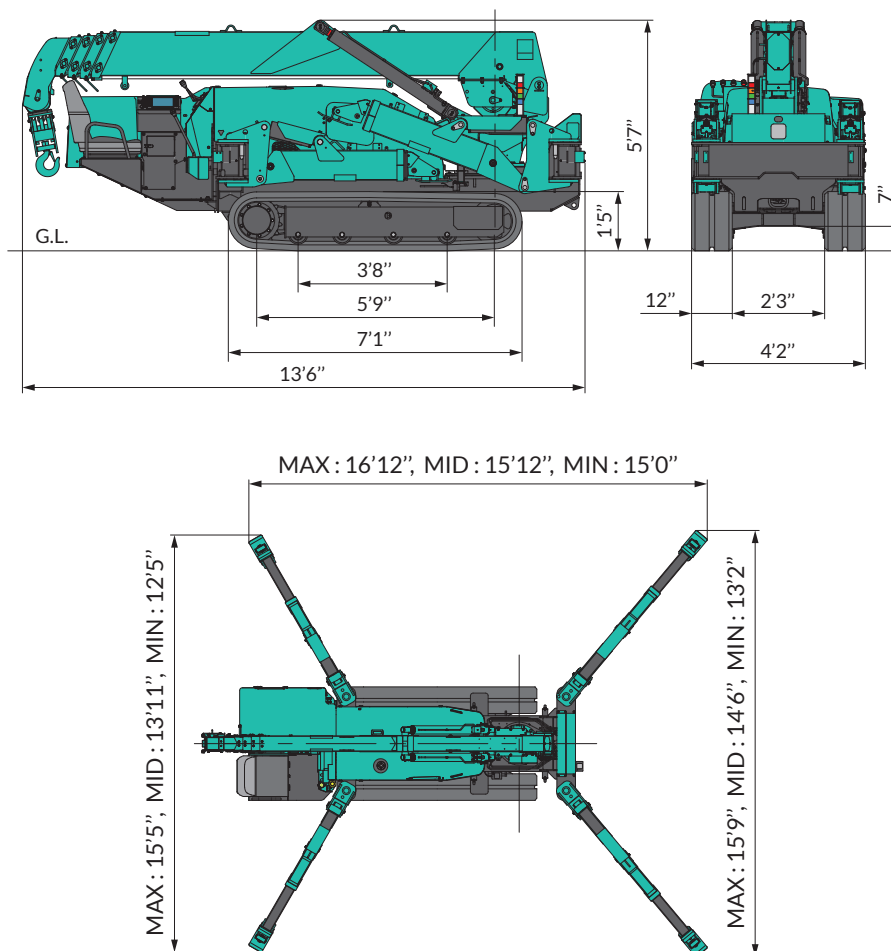
TECHNICAL DATA

Imperial(US)

Specifications

Crane Capacity	6,560lb x 8.0'
Max. Working Radius	39.8' x 570lb
Max.Lifting Height	41.0'
Max. Reach Below Ground	-53.0' (4 parts of line)
Outrigger Max.Extended Width (outer dims)	(Lateral) 16'12" x (Front) 15'9" x (Rear) 15'5"
Travel Speed	0-1.7mph
Travel Ground Pressure (MC305CWM-5)	8.44PSI
Travel Ground Pressure (MC305CWME-5)	8.73PSI
Engine	YANMAR 3TNV80F-SNMB / Diesel
Engine Rated Output	20.38hp (15.2kw)/2,500rpm
Electric Motor	5.5kw, 3Phase, 230V
Dimensions	13'6" (L) x 4'2" (W) x 5'7" (H)
Machine Weight	8,750lb (9,060lb with electric motor)

Dimensions



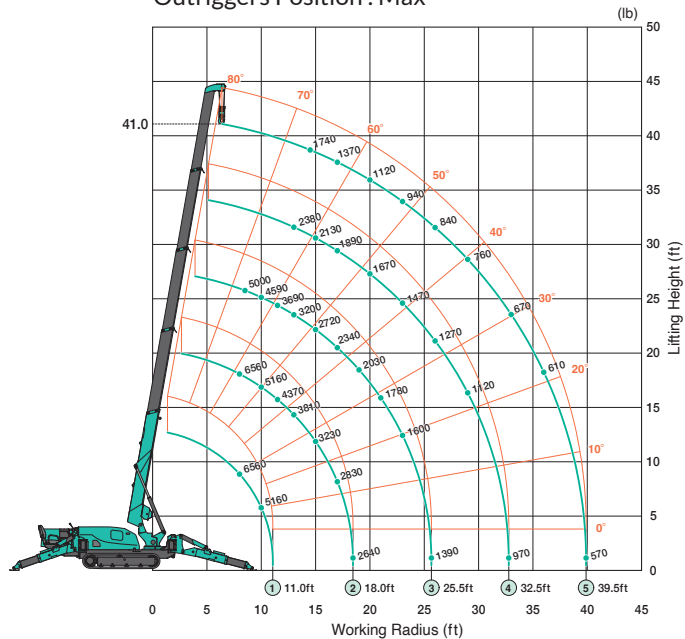
SPIDER CRANE
MC305C-5

TECHNICAL DATA

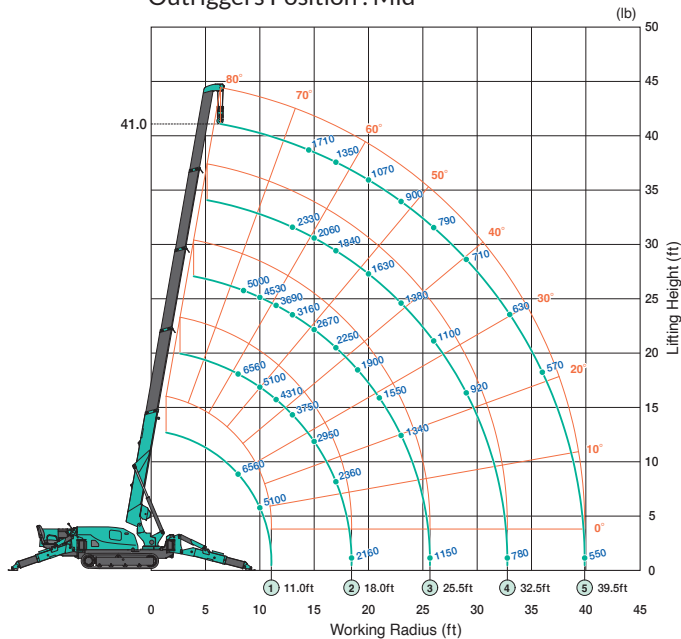
Imperial(US)

Working Range Chart

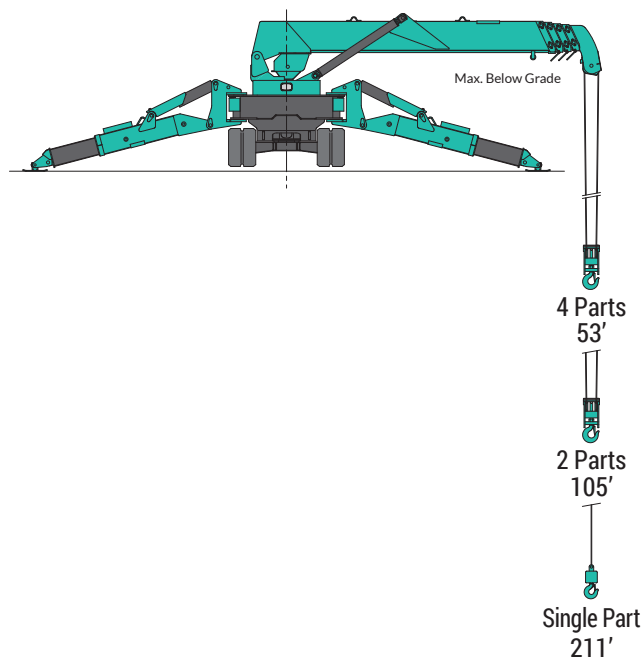
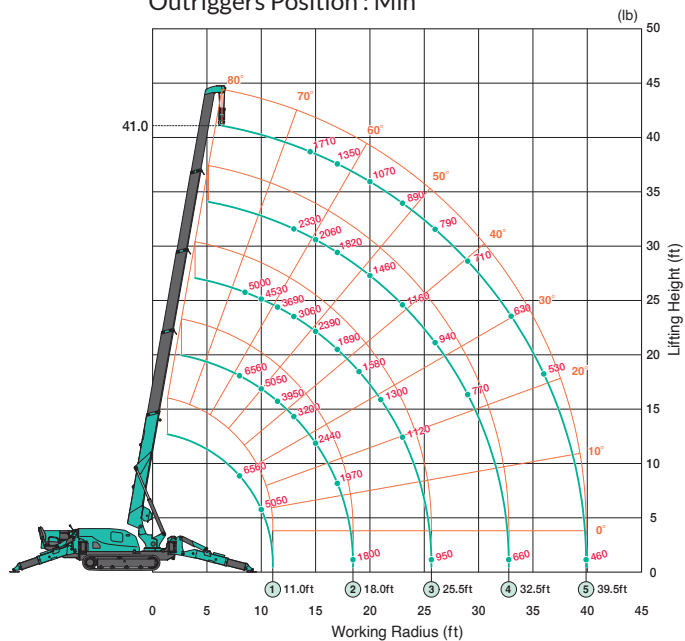
Outriggers Position : Max



Outriggers Position : Mid



Outriggers Position : Min



SPIDER CRANE
MC305C-5

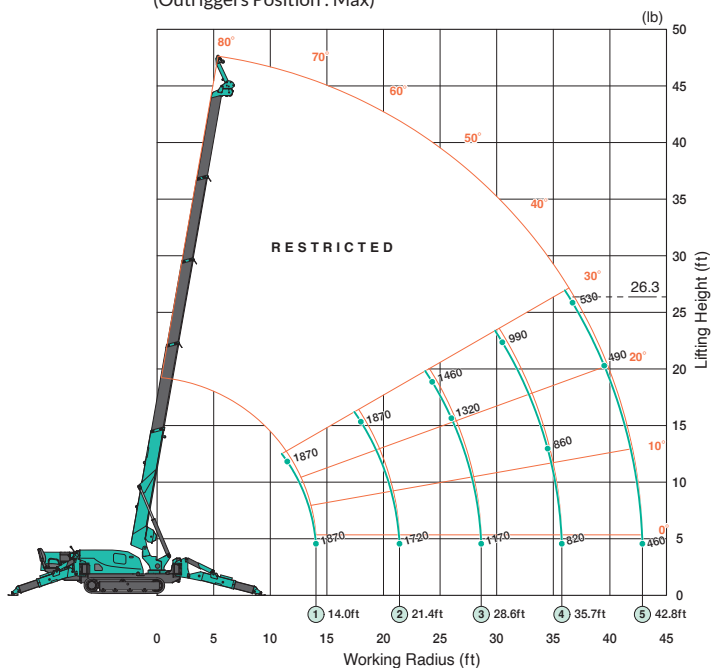
TECHNICAL DATA

Imperial(US)

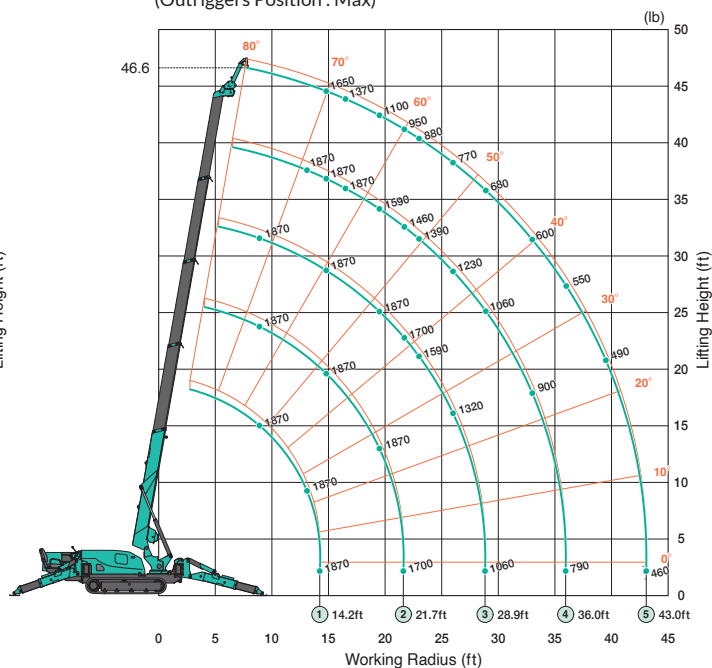
Working Range Chart

1,870lb Searcher Hook

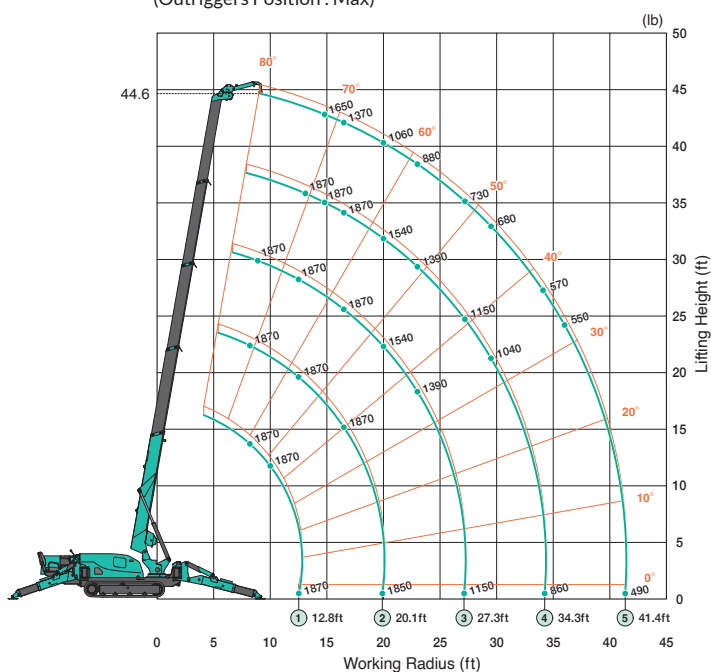
1,870lb Searcher Hook Offset Position : SH1
(Outriggers Position : Max)



1,870lb Searcher Hook Offset Position : SH2
(Outriggers Position : Max)



1,870lb Searcher Hook Offset Position : SH3
(Outriggers Position : Max)



SPIDER CRANE
MC305C-5

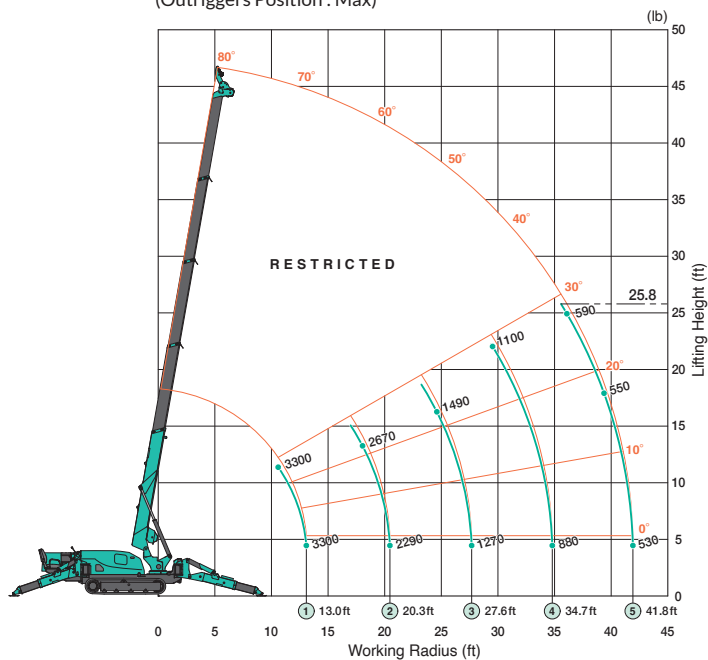
TECHNICAL DATA

Imperial(US)

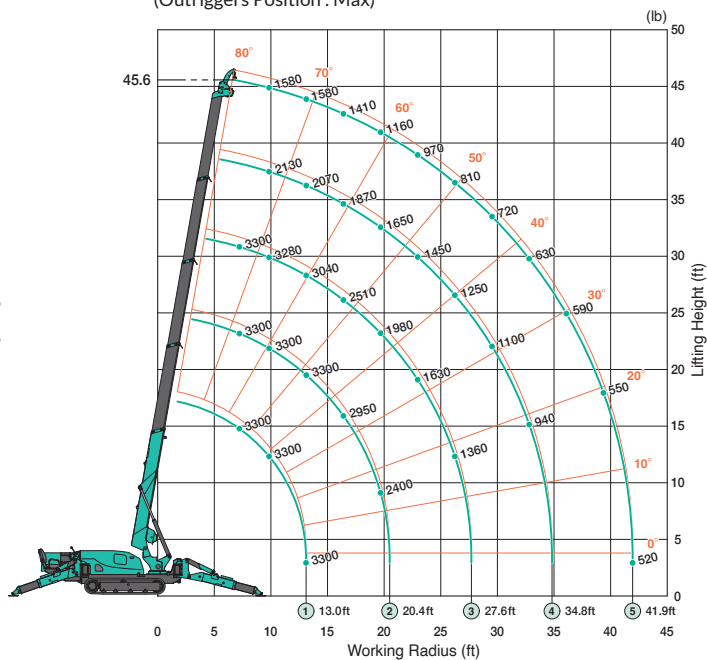
Working Range Chart

3,300lb Searcher Hook

3,300lb Searcher Hook Offset Position : SH1
(Outriggers Position : Max)



3,300lb Searcher Hook Offset Position : SH2
(Outriggers Position : Max)



3,300lb Searcher Hook Offset Position : SH3
(Outriggers Position : Max)

