

SPIDER CRANE
MC305C-5

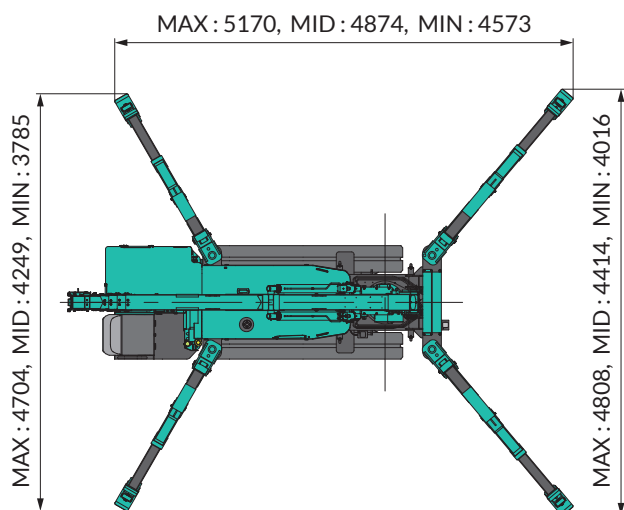
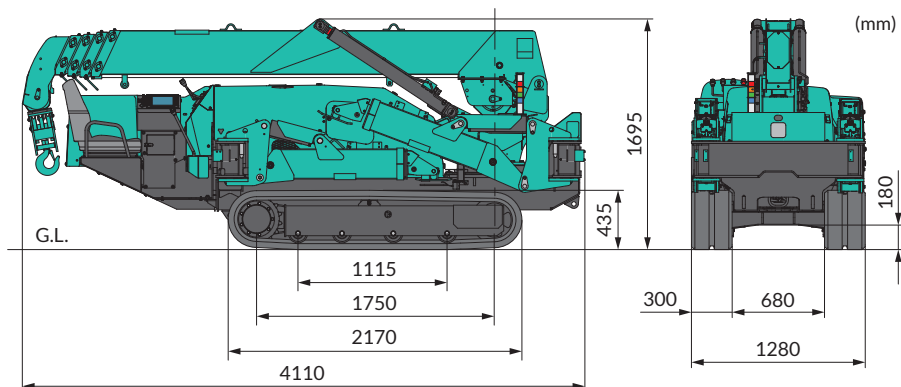
TECHNICAL DATA

Metric(CE)

Specifications

Crane Capacity	2.98t x 2.5m
Max. Working Radius	12.16m x 0.26t
Max.Lifting Height	12.52m
Max. Reach Below Ground	-16.09m (4 falls)
Outrigger Max.Extended Width (outer dims)	(Lateral) 5,170mm x (Front) 4,808mm x (Rear) 4,704mm
Travel Speed	0-2.8km/h
Travel Ground Pressure (MC305CWM-5)	58.2kpa [0.59kgf/cm ²]
Travel Ground Pressure (MC305CWME-5)	60.2kpa [0.61kgf/cm ²]
Engine	YANMAR 3TNV80F-SNMB / Diesel
Engine Rated Output	15.2kw/2,500rpm
Electric Motor	5.5kw, 3Phase, 380V
Dimensions	4,110mm (L) x 1,280mm (W) x 1,695mm (H)
Machine Weight	3,970kg (4,110kg with electric motor)

Dimensions



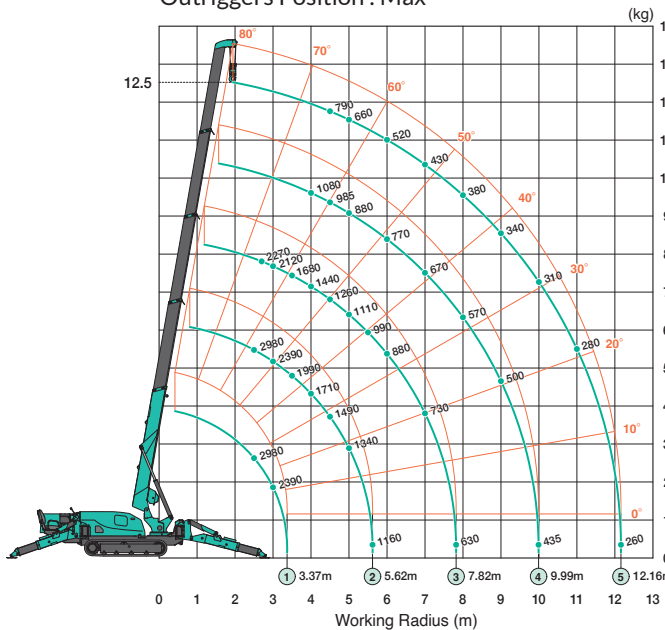
SPIDER CRANE
MC305C-5

TECHNICAL DATA

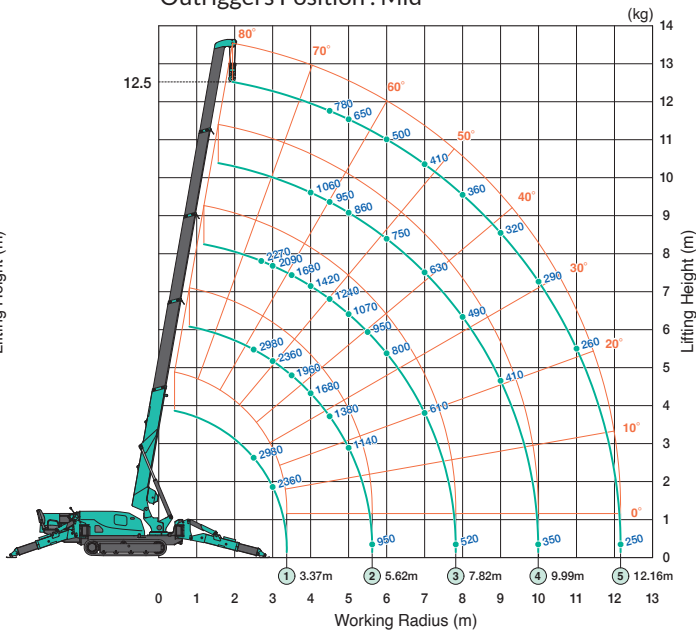
Metric(CE)

Working Range Chart

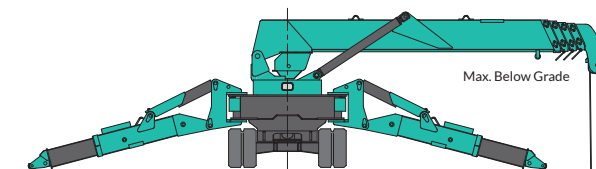
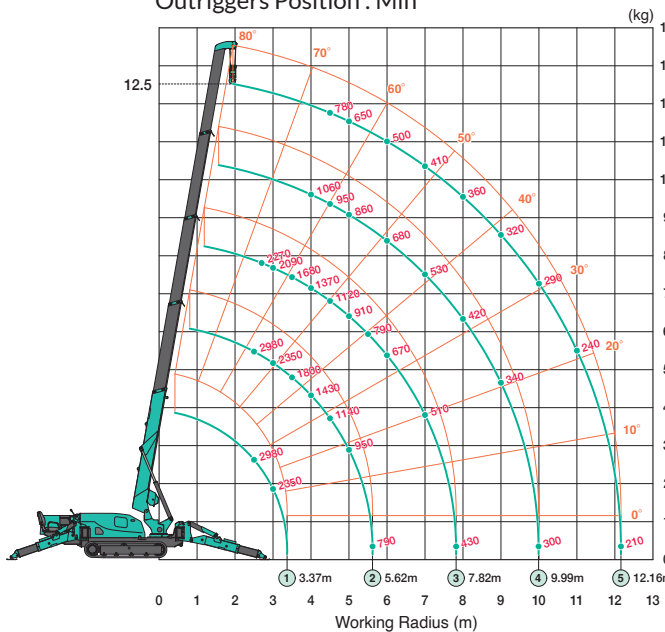
Outriggers Position : Max



Outriggers Position : Mid



Outriggers Position : Min



4 Fall
16.09m

2 Fall
32.18m

Single Fall
64.36m

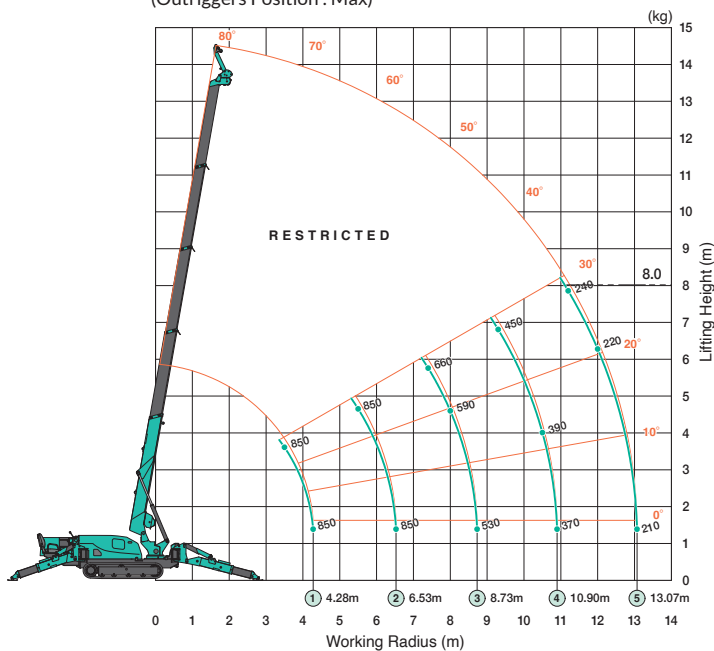
SPIDER CRANE
MC305C-5

TECHNICAL DATA
Metric(CE)

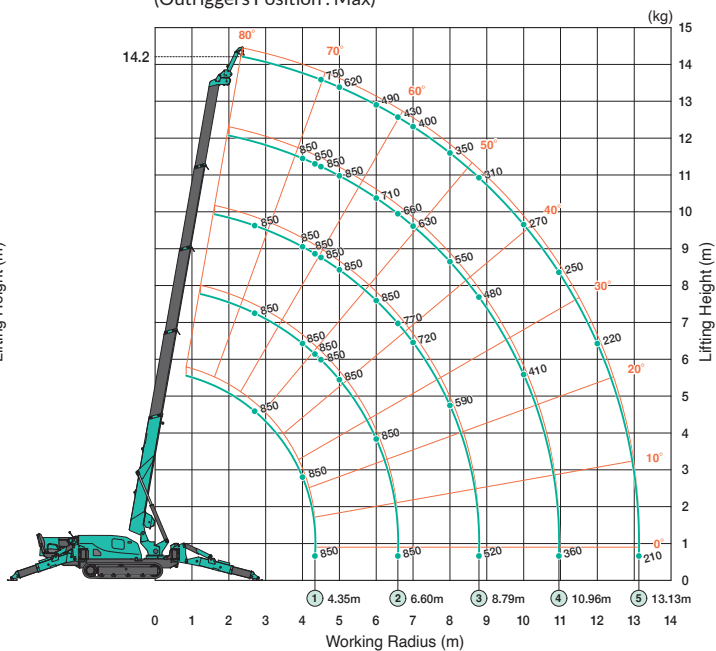
Working Range Chart

850kg Searcher Hook

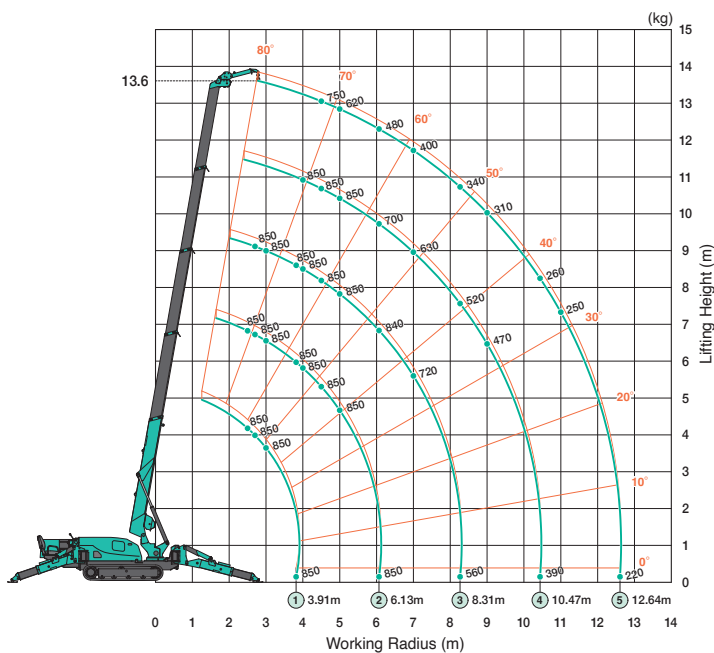
850kg Searcher Hook Offset Position : SH1
(Outriggers Position : Max)



850kg Searcher Hook Offset Position : SH2
(Outriggers Position : Max)



850kg Searcher Hook Offset Position : SH3
(Outriggers Position : Max)



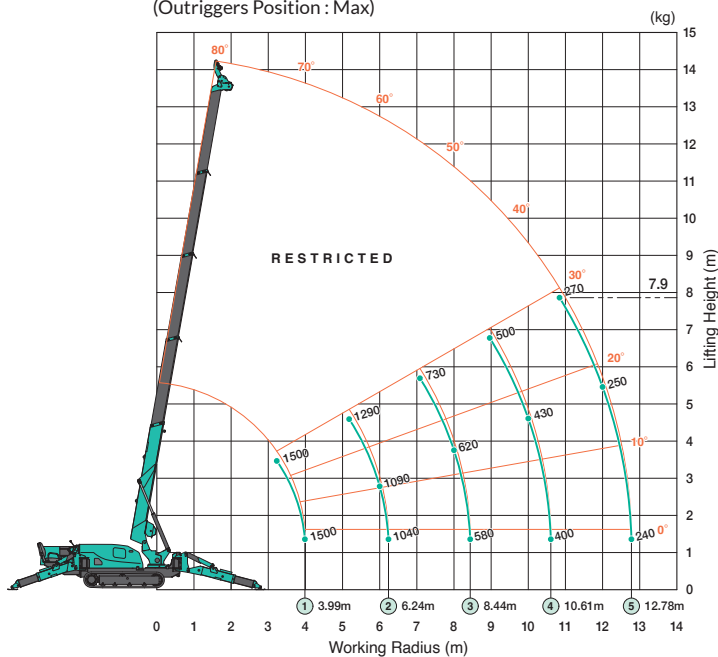
SPIDER CRANE
MC305C-5

TECHNICAL DATA
Metric(CE)

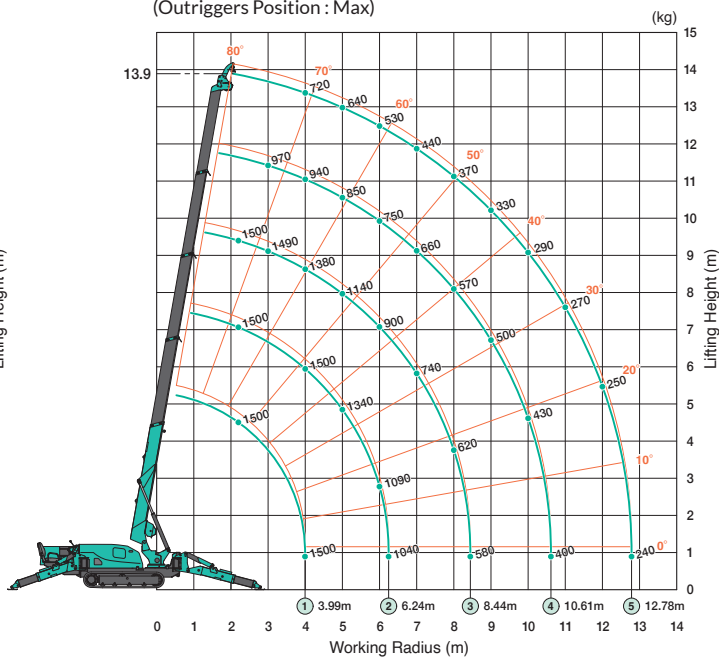
Working Range Chart

1.5t Searcher Hook

1.5t Searcher Hook Offset Position : SH1
(Outriggers Position : Max)



1.5t Searcher Hook Offset Position : SH2
(Outriggers Position : Max)



1.5t Searcher Hook Offset Position : SH3
(Outriggers Position : Max)

